

Signature Series

Ride-On Mowers



JOHN DEERE





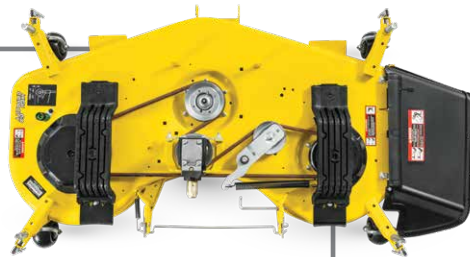
This is how we say “Welcome Home.”

When you take shortcuts, it shows. We don't run like that. Instead, we test on over 162 hectares just to get ready for your backyard. We invest hundreds of hours reinventing how to cut grass with our Accel Deep™ and High-Capacity Mower Decks. These decks are engineered to cut taller grass at faster speeds while still achieving exceptional cut quality.

But that's not all. There are models available with 4-wheel steering and full-time 4-wheel drive, to ensure that you can get around with ease, and conquer challenging terrain. And we offer a high level of comfort and peace of mind. So you can always feel at home.

We build John Deere X700 Signature Series Ride-on Mowers the way we've always built John Deere equipment. The right way. Times change. Our principles don't. You don't just have to take our word on it. You've got our name on it and everything we have inside us in it. That's how we run. Nothing Runs Like a Deere™.

152cm (60 in) High-Capacity Mower Deck — Stamped out of 9-gauge steel for toughness, this deck is engineered to provide a premium cut.





We mowed 18 hours a day on over 162 hectares to get ready for your yard.

To accompany this amazing ride, our solid stamped, 9-gauge steel high-capacity mower decks are engineered to produce a premium cut. Our mowers have been tested in tall, thick grass for signature-worthy performance and durability.

For a more manicured look, add a high-capacity bagger, a clipping-free pristine yard is sure to follow.

Easy maintenance is a must.

Sharpening blades. Cleaning your deck. Switching out implements. There are plenty of reasons to take your mower deck off. With our Signature Series Drive Over AutoConnect™ Decks, we've made it even easier.

Just find a flat surface, follow a few quick steps and drive off in just a few minutes. It's our easiest detach/attach high-capacity mower deck, yet. Drive over mower deck ramps are even removable for easy deck servicing.



With an AutoConnect deck, attaching and removing your mower deck is easier than ever. Drive over ramps can quickly be removed, without tools, for access to mower deck.



Air Ride Seat Option — Effortlessly adjust the seat suspension to your liking, in seconds with the flip of a switch.

The Dashboard Approach — Electronic fuel gauge. Engine temperature gauge. Tachometer with Best Cut target zone. Electric power take-off (PTO) engagement indicator. All at a glance and within easy reach.

Make-Yourself-Comfortable — This premium, 2-piece, 530 mm (21 in) high-back seat offers suspension support and a lounge-chair-like function for exceptional comfort. Embroidered logo makes sure this upscale seat looks as good as it feels.

Engine — Starting with the X730, high-performance electronic fuel injected (EFI) petrol engines and Final Tier 4 diesel engines offer torque and power to spare.

Stylish Hood — the exclusive hood design provides superior cooling and durability.

The 1.22 m (48 in) Accel Deep™ Mower Deck is perfect for narrow pathways and gate entrances, while our 1.37 and 1.52 m (54 and 60 in) High-Capacity Decks provide a premium cut and are solid stamped out of 9 gauge steel for toughness.

Optional Hydraulic MulchControl™ System — Mulch the easy way, right from your seat, with your fingertips.

Steering Wheel — Tall? Short? Somewhere in between? Standard tilt steering adjusts to your height and delivers the ultimate in comfort.

12-Volt Outlet — Plug in a sprayer or an electric spreader. You've got the power.

Tool Box — From work gloves and sunglasses to your favorite hat, there's plenty of onboard storage.



Out manoeuvre yard obstacles.

With 4-wheel steering on a Signature Series, when you turn your steering wheel, all four wheels turn in unison. This improves maneuverability and trimming performance while also saving time. No obstacle, garden bed or tree trunk can stand in your way.

Even our Signature Series models with 2-wheel steering provide excellent maneuverability. That's because all of these mowers come with power steering standard. Perfect for yards with more open spaces and fewer obstacles.

Stylised alloy wheels, standard on the Signature Series, give that custom look.



No scuffing. The speed of each front wheel adjusts automatically on turns in our full-time 4-wheel-drive system.



The drive to tame your yard.

Signature Series offer two drive options for your yard—a full-time 4-wheel-drive system or a 2-wheel-drive system. Both feature foot-operated standard traction assist to get you out of tough spots.

What's so special about a full-time 4-wheel-drive system? Unlike other tractors out there, there are no levers to pull or buttons to push to turn on the 4-wheel-drive system on a Signature Series.

This system starts up with the turn of your ignition key and doesn't quit until you shut down for the day. Perfect to conquer the most uneven terrain in your yard.

Worried about scuffing your lawn? Don't be. The speed of each front wheel of our full-time 4-wheel-drive system is automatically adjusted for optimum performance in tight turns, the time when most scuffing occurs.

Want a drive that's more like your car? Check out our Signature Series 2-wheel-drive system. The ride is smooth and even. Just like your car.



Full-time 4-wheel drive. No levers. No buttons. Automatically adjusts wheel speeds when turning so you don't have to engage when you need traction and disengage when you don't.



Standard traction assist helps get you out of the tricky terrain in your yard.

There's always something to do around the yard.

Productivity and versatility are key to how we run, too. That's why the Signature Series is engineered to mulch, haul, bag, fertilise, seed, sweep and, of course, mow. You just need the right attachment or implement.



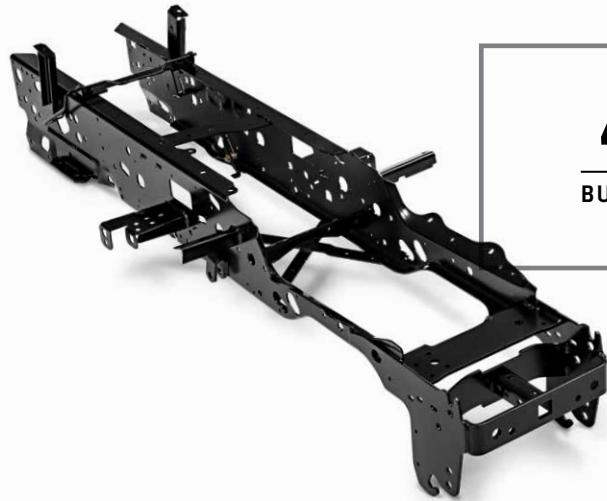
Spreaders. Convenient to use for spreading seed, fertiliser, insecticide, and salt. Polyethylene hopper will not dent or rust.



Cart it. There's no need to have your hands full of fertilizer, tools and rocks as you go about maintaining your yard. Just add a cart to your Signature Series.



Bag it. Clean up your clippings and keep your lawn pristine the easy way with a Bagger or a Sweeper. Leave the rake in the garage.



4 YEARS | **700** HOURS*
BUMPER-TO-BUMPER WARRANTY

See how we run in your neck of the woods.

Our dealers are critical to how we run. Staffed by trained, dedicated professionals, they're ready to put you in the seat of the right Signature Series for your yard and help you maintain the system for years to come.

More of a do it yourselfer? No problem. Our dealers can provide you with a Home Maintenance Kit, so you can maintain your Signature Series yourself. Most Kits include 1.9 L of oil, 1 oil filter, 1 air filter, 1 fuel filter, an air precleaner and spark plugs. All great to have on hand.

The heavy-duty frame of the Signature Series is built with the strength to handle your toughest tasks. From blading and box scraping to spraying. And, of course, mowing.

Add an optional 3-point hitch to use a landscape rake, sprayer or rotary tiller. The heavy-duty frame has been reinforced to take it. But tough doesn't start there.

Check out the shaft-driven transmission. Stronger, and able to transmit more power, Signature Series transmissions are just as rugged as the rest of the machine.

Then there is the iTorque™ Power System available on our petrol models. This system combines an exclusive hood design for superior power, cooling, and durability.

All in all, you get the power and torque to handle hauling, mowing, plowing, blowing, sweeping, tilling, and anything else that needs doing. We call it engineered quality. You'll call it useful.

Our Signature Series Warranty.

It's one of the best in the industry. You'll get 4 years or 700 hours* of bumper-to-bumper warranty coverage. That's a lot of mowing and worry-free ownership.

*Term limited to years or hours used, whichever comes first, and varies by model. See the Agriculture and Turf equipment Warranty Statement at JohnDeere.com.au or JohnDeere.co.nz

Specifications



*The engine horsepower and torque information are provided by the engine manufacturer to be used for comparison purposes only. Actual operating horsepower and torque will be less. Refer to the engine manufacturer's website for additional information.

†Term limited to years or hours used, whichever comes first, and varies by model. See the LIMITED WARRANTY FOR NEW JOHN DEERE TURF AND UTILITY EQUIPMENT at JohnDeere.com.au or JohnDeere.co.nz

	X730	X734 (4WS)
POWER SYSTEMS		
	John Deere iTorque™	John Deere iTorque™
Engine Power	19 kW (25.5 hp*)	19 kW (25.5 hp*)
Displacement	0.75 L	0.75 L
Cooling	Liquid	Liquid
Cylinders	V-Twin	V-Twin
FUEL SYSTEM		
Capacity	19.7 L	19.7 L
Fuel Type	Petrol	Petrol
IGNITION		
	Electronic	Electronic
Electrical System	20 amp, regulated	20 amp, regulated
Fuel Delivery System	Electronic fuel injection	Electronic fuel injection
TRANSMISSION		
Drive System	Hydrostatic, 2-wheel drive	Hydrostatic, 2-wheel drive
Forward Speed	13.7 km/h	13.7 km/h
Reverse Speed	9.7 km/h	9.7 km/h
BRAKES		
	Internal wet disc	Internal wet disc
STEERING		
	Power, 2-wheel steer	Power, 4-wheel steer
TURNING RADIUS		
	635 mm (25 in)	533 mm (21 in)
UNCUT CIRCLE RADIUS		
	711 mm (28 in) w/ 1.52 m (60 in) HC Mower	152 mm (6 in) w/ 1.52 m (60 in) HC Mower
SEAT		
	533 mm (21 in) 2-piece adjustable back angle	533 mm (21 in) 2-piece adjustable back angle
TYRES		
Front	Turf 18x8.50-8	Turf 18x7.00-8
Rear	Turf 26x12-12	Turf 26x10.50-12
LIFT SYSTEM		
	Power	Power
PTO		
	Hydraulic clutch	Hydraulic clutch
DIMENSIONS		
Height (Seat Height)	1.3 m (51.2 in)	1.3 m (51.2 in)
Length, Overall	1.91 m (75 in)	1.91 m (75 in)
Min. Storage Width (Chute Up)	1.58 m (62 in) w/ 1.52 m (60 in) Mower	1.46 m (57.5 in) w/ 1.37 m (54 in) Mower
Wheelbase	1.38 m (54.5 in)	1.38 m (54.5 in)
Weight, Approx.	492 kg (1,084 lb) w/ 1.27 m (54 in) Mower	517 kg (1,139 lb) w/ 1.37 m (54 in) Mower
MOWER OPTIONS		
Cutting Width	1.22 m (48 in) Accel Deep™ Mower 1.37 m (54 in) High Capacity 1.52 m (60 in) High Capacity	1.22 m (48 in) Accel Deep™ Mower 1.37 m (54 in) High Capacity 1.52 m (60 in) High Capacity
LIMITED WARRANTY†		
	4 years / 700 hours	4 years / 700 hours

X738 (4WD)	X739 (4WD, 4WS)	X750	X754 (4WS)	X758 (4WD)
John Deere iTorque™	John Deere iTorque™	3-cylinder	3-cylinder	3-cylinder
19 kW (25.5 hp*)	19 kW (25.5 hp*)	18 kW (24 hp*)	18 kW (24 hp*)	18 kW (24 hp*)
0.75 L	0.75 L	1.0 L	1.0 L	1.0 L
Liquid	Liquid	Liquid	Liquid	Liquid
V-Twin	V-Twin	3	3	3
19.7 L	19.7 L	19.7 L	19.7 L	19.7 L
Petrol	Petrol	Diesel	Diesel	Diesel
Electronic	Electronic	N/A	N/A	N/A
20 amp, regulated	20 amp, regulated	40 amp, regulated	40 amp, regulated	40 amp, regulated
Electronic fuel injection	Electronic fuel injection	Indirect injection	Indirect injection	Indirect injection
Hydrostatic, Full-time 4-wheel drive	Hydrostatic, Full-time 4-wheel drive	Hydrostatic, 2-wheel drive	Hydrostatic, 2-wheel drive	Hydrostatic, Full-time 4-wheel drive
13.7 km/h	13.7 km/h	13.7 km/h	13.7 km/h	13.7 km/h
9.7 km/h	9.7 km/h	9.7 km/h	9.7 km/h	9.7 km/h
Internal wet disc	Internal wet disc	Internal wet disc	Internal wet disc	Internal wet disc
Power, 2-wheel steer	Power, 4-wheel steer	Power, 2-wheel steer	Power, 4-wheel steer	Power, 2-wheel steer
635 mm (25 in)	533 mm (21 in)	635 mm (25 in)	533 mm (21 in)	635 mm (25 in)
711 mm (28 in) w/ 1.52 m (60 in) HC Mower	152 mm (6 in) w/ 1.52 m (60 in) HC Mower	711 mm (28 in) w/ 1.52 m (60 in)	152 mm (6 in) w/ 1.52 m (60 in) HC Mower	711 mm (28 in) w/ 1.52 m (60 in) HC Mower
533 mm (21 in) 2-piece adjustable back angle	533 mm (21 in) 2-piece adjustable back angle	533 mm (21 in) 2-piece adjustable back angle	533 mm (21 in) 2-piece adjustable back angle	533 mm (21 in) 2-piece adjustable back angle
Heavy-Duty All Purpose 18x8.50-10	Heavy-Duty All Purpose 18x8.50-10	Turf 18x8.50-8	Turf 18x7.00-8	Heavy-Duty All Purpose 18X8.50-10
Heavy-Duty All Purpose 26x12-12	Heavy-Duty All Purpose 26x12-12	Turf 26x12-12	Turf 26x10.50-12	Heavy-Duty All Purpose 26x12-12
Power	Power	Power	Power	Power
Hydraulic clutch	Hydraulic clutch	Hydraulic clutch	Hydraulic clutch	Hydraulic clutch
1.3 m (51.2 in)	1.3 m (51.2 in)	1.3 m (51.2 in)	1.3 m (51.2 in)	1.3 m (51.2 in)
1.91 m (75 in)	1.91 m (75 in)	1.91 m (75 in)	1.91 m (75 in)	1.91 m (75 in)
1.58 m (62 in) w/ 1.52 m (60 in) Mower	1.46 m (57.5 in) w/ 1.37 m (54 in) Mower	1.58 m (62 in) w/ 1.52 m (60 in) Mower	1.46 m (57.5 in) w/ 1.37 m (54 in) Mower	1.58 m (62 in) w/ 1.52 m (60 in) Mower
1.42 m (55.7 in)	1.42 m (55.7 in)	1.38 m (54.5 in)	1.38 m (54.5 in)	1.42 m (55.7 in)
533 kg (1,174 lb) w/ 1.37 m (54 in) Mower	572 kg (1,261 lb) w/ 1.37 m (54 in) Mower	530 kg (1,169 lb) w/ 1.37 m (54 in) Mower	555 kg (1,224 lb) w/ 1.37 m (54 in) Mower	571 kg (1,259 lb) w/ 1.37 m (54 in) Mower
1.22 m (48 in) Accel Deep™ Mower 1.37 m (54 in) High Capacity 1.52 m (60 in) High Capacity	1.22 m (48 in) Accel Deep™ Mower 1.37 m (54 in) High Capacity 1.52 m (60 in) High Capacity	1.22 m (48 in) Accel Deep™ Mower 1.37 m (54 in) High Capacity 1.52 m (60 in) High Capacity	1.22 m (48 in) Accel Deep™ Mower 1.37 m (54 in) High Capacity 1.52 m (60 in) High Capacity	1.22 m (48 in) Accel Deep™ Mower 1.37 m (54 in) High Capacity 1.52 m (60 in) High Capacity
4 years / 700 hours	4 years / 700 hours	4 years / 700 hours	4 years / 700 hours	4 years / 700 hours



JOHN DEERE

This literature has been compiled for worldwide circulation. While general information, pictures and descriptions are provided, some illustrations and text may include finance, credit, insurance, product options and accessories NOT AVAILABLE in all countries or regions. In some countries, products and accessories may require modifications or additions to ensure compliance with the local regulations of those countries. PLEASE CONTACT YOUR LOCAL DEALER FOR DETAILS. John Deere reserves the right to change specification and design of all products described in this literature without notice. John Deere's green and yellow colour scheme, the leaping deer symbol, and JOHN DEERE are trademarks of Deere & Company. All photography and illustrations contained herein are copyrighted assets of Deere & Company.

JohnDeere.com.au
JohnDeere.co.nz